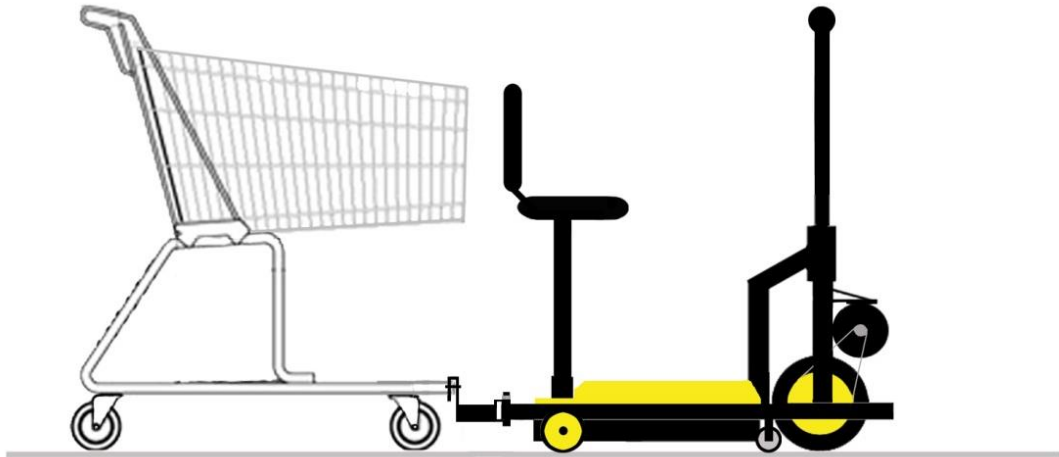


# VERCS PROTOTYPE



**Engine:**

24 V 250 W

**Batteries:**

2 x 12 V 14 Ah

**Engine reduction:**

300 rpm

**Ratio pinion/crown:**

$11 / 55 = 5$

**Inflatable driving wheel:**

200 mm x 50 mm

**Stabilizer wheels:**

40 mm

**Wheel stroke:**

60 cm

**Speed:** 5 km/h

The VERCS is a vehicle that attached to the front of the supermarket cart without having to make any modification, is able to pull it and perform all the necessary manoeuvres to go through the supermarket corridors. This vehicle is powered by an electric motor with rechargeable batteries, has a comfortable seat and controls to drive it. Designed to drive it in the supermarkets, the VERCS has a lower width than the shopping cart (40 cm) and a length of 80 cm, with a maximum speed of 5 km/h.

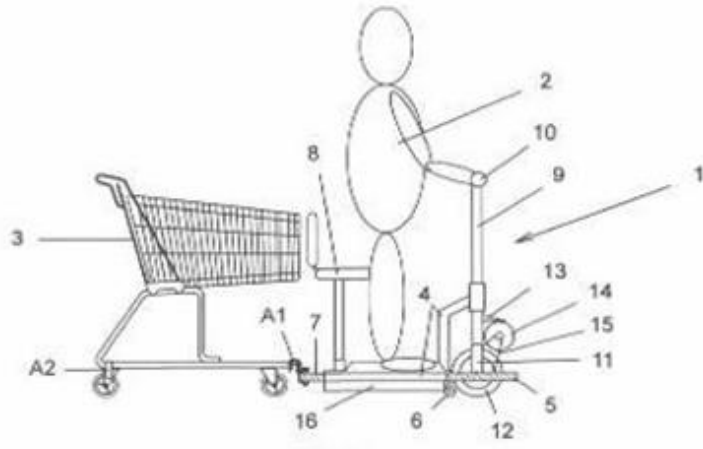


Figura 1

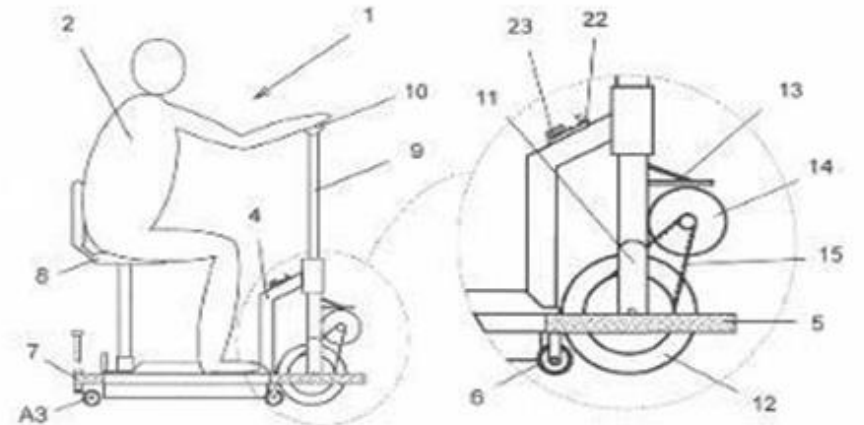


Figura 5

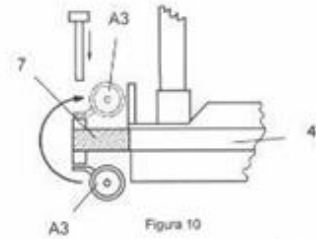


Figura 10

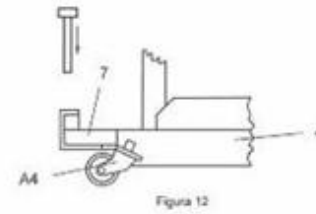


Figura 12

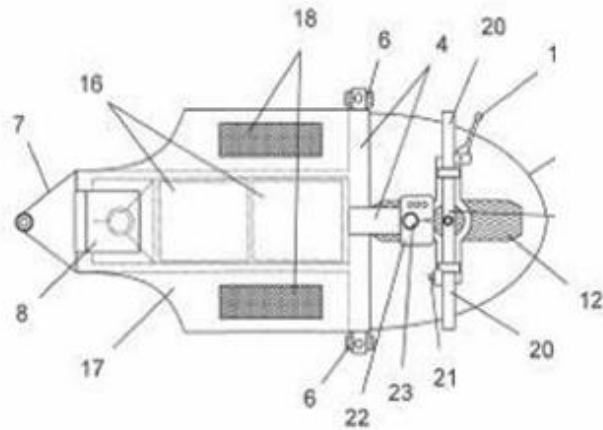


Figura 4

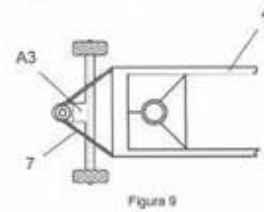


Figura 9

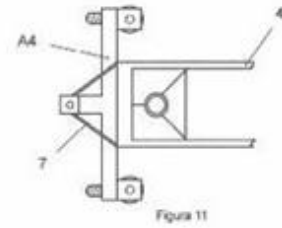


Figura 11

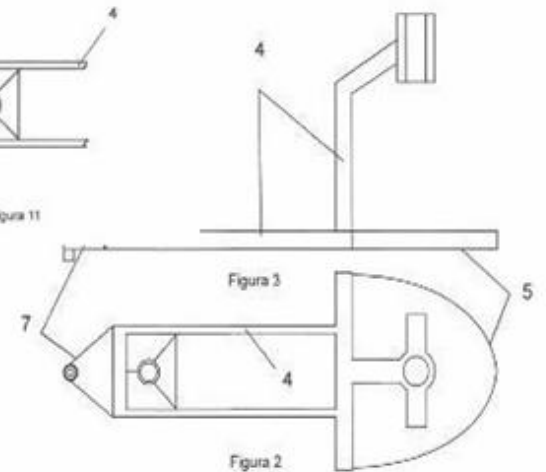


Figura 3

Figura 2





